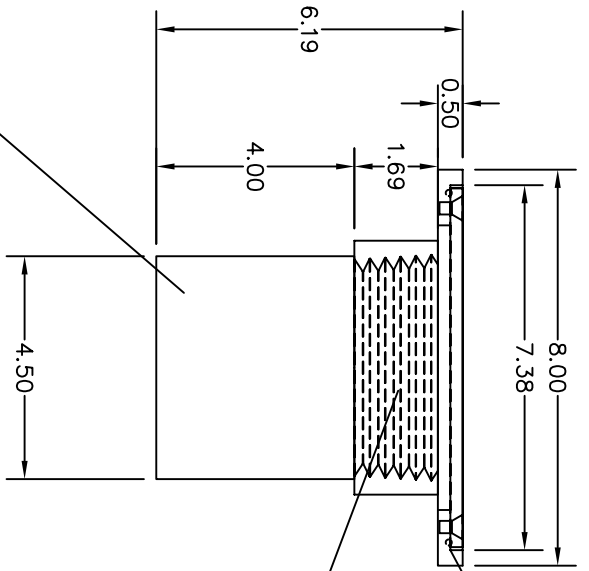


Ø8.00
 3/16" Thick Cover plate

1/8" O-Ring Seal for
 the top cover



4" COUPLING WITH
 COUNTER SUNK BRASS PLUG

4" SCH 40
 NO HUB CONNECTION

| | | | |
|--|--|-----------------------------|--|
| Custom Drains P.O. Box 2998 Sag Harbor, NY 11963 888-244-3417 Fabrication Shop: Clear Lake, MN 55319 | | DRAWN BY: Pearson | |
| PRINT NO. | | CHECKED BY: | |
| DATE: | | | |
| SCALE: 3" = 1FT | | | |