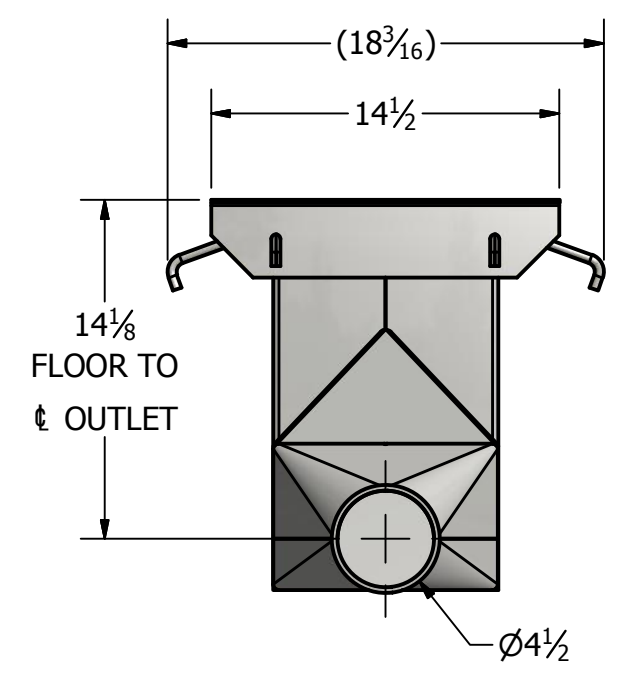
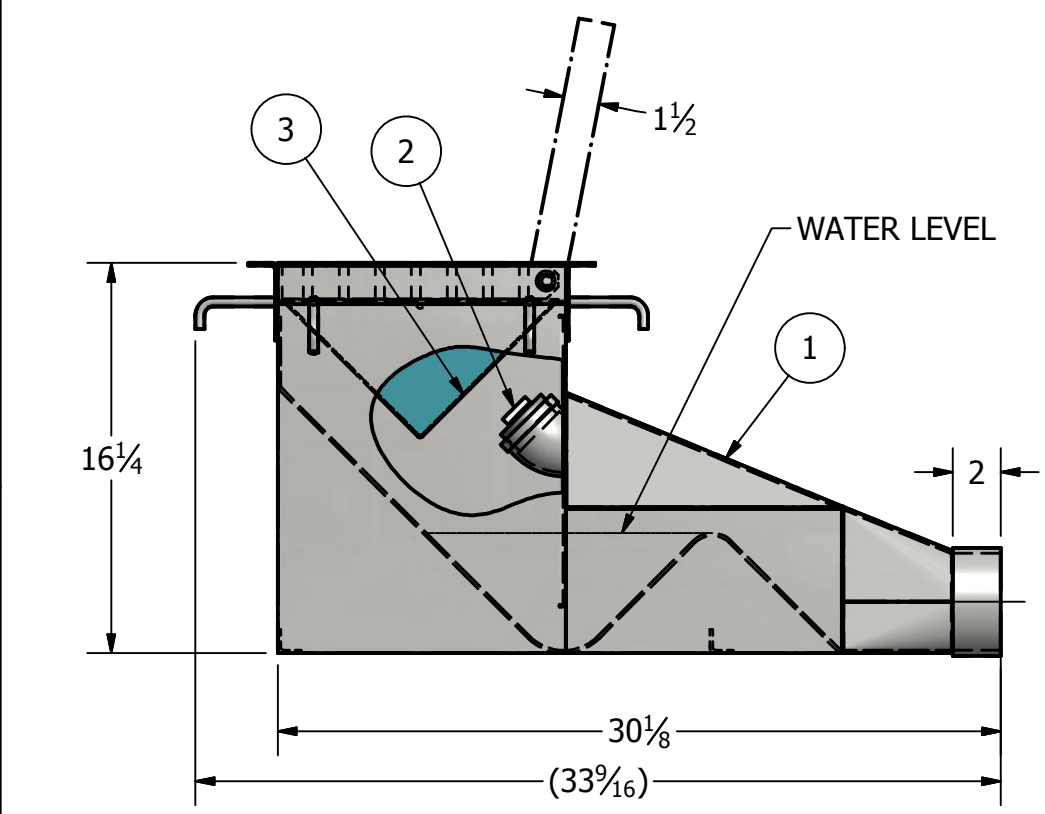
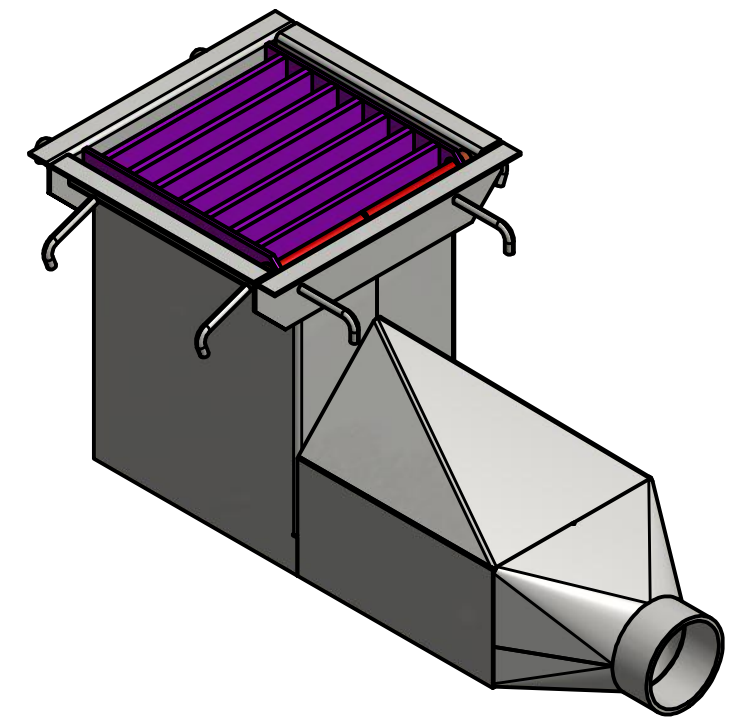
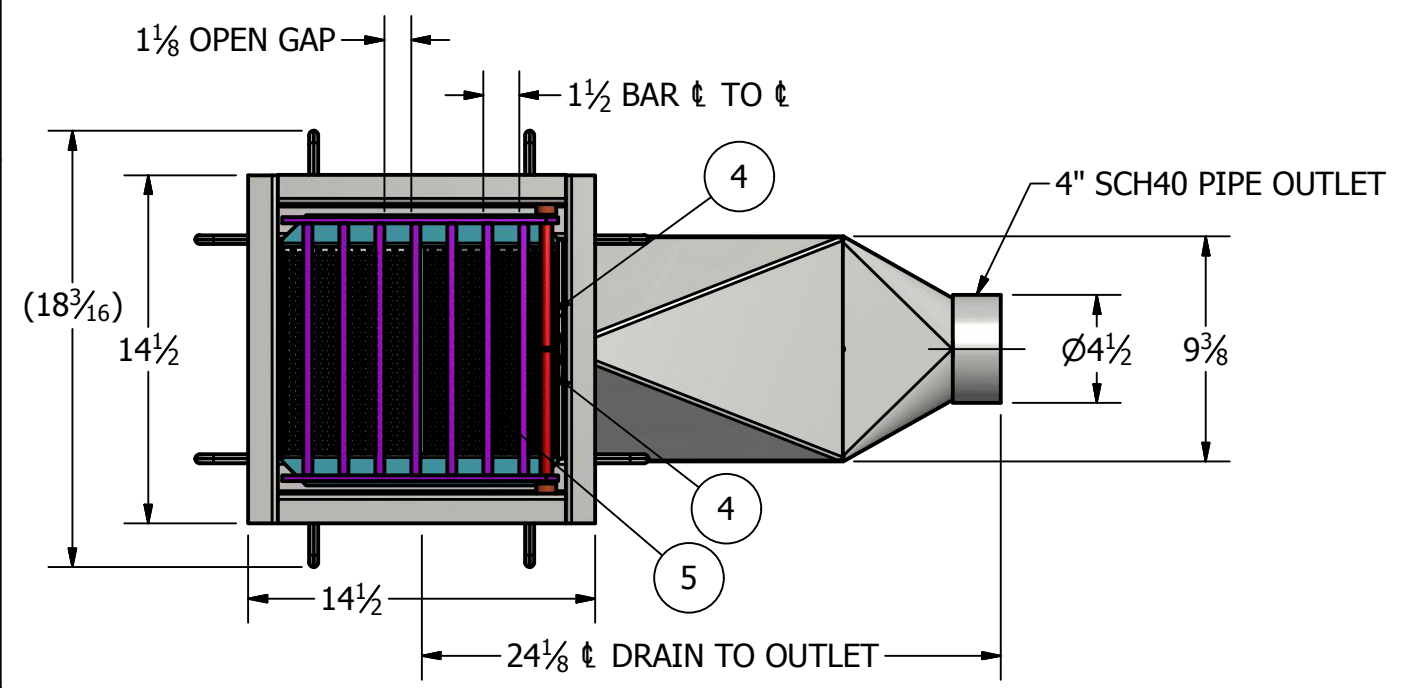


PARTS LIST				
ITEM	QTY	PART NUMBER	TITLE	DESCRIPTION
1	1	FD WDMT-STD 4 IN	DRAIN WDMT	FLOOR DRAIN WDMT - STD 4 IN
2	1	2389K78	FITTING	PIPE PLUG-SQHD, HOLLOW PLUG, NPT MALE, SCH 40
3	1	900032	SCREEN WELDMENT	1/4 HOLES ON 3/8 STAGGER
4	2	900030	PIN	HINGE PIN HALF
5	1	980135	GRATE WDMT	STANDARD DRAIN



<b>PROPRIETARY NOTICE</b>			
THIS DRAWING IS PROPERTY OF CUSTOMDRAINS.COM & SHALL NOT BE COPIED, REPRODUCED, LENT, OR DISPOSED OF NOR USED FOR ANY OTHER PURPOSE THAN FOR WHICH IT IS SPECIFICALLY FURNISHED & MUST BE RETURNED UPON DEMAND.			
DRAWN TAF	1/25/2013	<b>Pearson Potts - CustomDrains.com</b> 270 BELLEVUE AVE., #250, NEWPORT, RI 02840	
CHECKED			
UNLESS OTHERWISE SPECIFIED		TITLE <b>DRAIN ASSY</b> <b>FLOOR DRAIN ASSY - STD 4 IN</b>	
1. ALL DIMENSIONS IN INCHES		SIZE <b>B</b>	DWG NO <b>FD ASSY-STD 4 IN-PP</b>
2. DIMENSIONAL TOLERANCES: X/X $\pm 1/16$ X.XX $\pm 0.015$ X.XXX $\pm 0.005$ X.XXXX $\pm 0.0005$		SCALE	REV
3. ANGULAR TOLERANCES: X° $\pm 1.0^\circ$ X.XX° $\pm 0.5^\circ$		72.111 lbmass EA SHEET 1 OF 1	